

MRM-710APU

Advance Protocol Intelligent Manual Station



Description

Secutron's MRM-710APU Advanced Protocol Intelligent Manual Station is made of a high quality, die-cast metal and is available as a dual-action device with key resets and a permanently attached intelligent module. The intelligent manual station has a pair of rotary decimal switches which allows for two digit address setting. Pulling the handle initiates the operation of the intelligent module.

The MRM-710APU is available with CAT-30 keys and mount on a standard single gang backbox, Secutron model MRM-700 interior surface metal backbox, or MRM-700WP weather proof backbox.

Secutron's Advanced Protocol (AP) devices use a high speed communication protocol that greatly increases the speed of communication between the intelligent devices. Secutron's Advanced Protocol uses a superior group polling method as well as an interrupt feature that provide for a faster response to an alarm condition. In addition, the Advanced Protocol allows for greater system capacity with support for up to 318 devices per SLC circuit. The AP devices are backwards compatible to operate in CLIP mode for legacy system applications.

Features

- Dual Action
- Key resettable
- Permanently attached Intelligent Addressable Module
- Rotary switches for direct-dial entry of address. Each unit can have address set for 01-159 for Advanced Protocol mode and 01-99 for CLIP mode.
- High-gloss red enamel finish
- Plastic breakrod
- Meets ADA 5 lb. maximum manual-force
- Mounts on standard single gang box, Secutron's MRM-700 surface metal backbox or MRM-700WP weather proof backbox

Operation

The MRM-710APU Dual Action Intelligent Manual Station is operated by pushing the bar labeled "PUSH BAR" and then pulling down the handle marked "PULL HANDLE". The MRM-710APU is reset by opening the station with the key, placing the handle in the normal upright position and re-locking the station.

Specifications

The manual station shall be Secutron's MRM-710APU. Operating instructions shall be in raised English lettering and the unit shall be constructed of high quality die-cast metal and finished in red enamel paint to provide quick identification. Pulling the handle shall initiate immediate operation of the intelligent addressable module. All manual fire alarm stations shall be installed as per the specific requirements outlined in the UL codes, as well as all other applicable national or local codes. Final acceptance is subject to the local authority having jurisdiction.



Specifications

Manual Station Dimensions: Color: 4.93" H x 3.56" W x 2.9" D
 Red with raised white letters, white manual bar with raised black letters.

Current Consumption @24V: Operating: 400 μ A
 Alarm: 600 μ A

Surface Mount Backboxes



MRM-700 Surface Mount Backbox

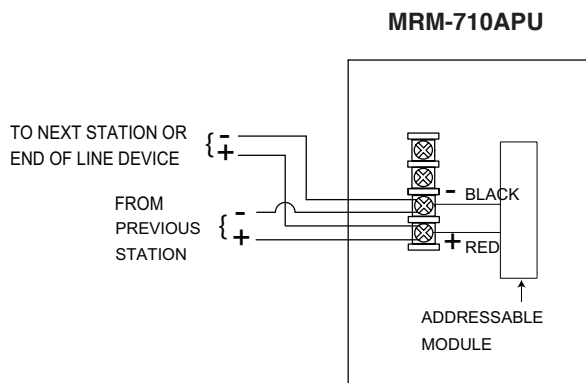
Dimensions:
 5" H x 3.6" W x 2.0" D



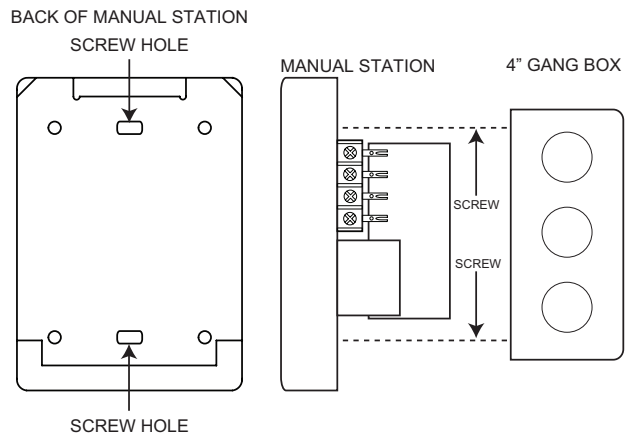
MRM-700WP Weatherproof Surface Mount Backbox

Dimensions:
 5" H x 3.6" W x 2.2" D

Typical Wiring Diagram



Mounting Diagram



Ordering Information

Model	Description
MRM-710APU	Advanced Protocol Intelligent Addressable Key Resettable Dual Action Manual Station
MRM-700	MRM-700U Series Interior Surface Mount Backbox, Red Finish
MRM-700WP	MRM-700U Series Weatherproof Surface Mount Backbox, Red Finish